

XDISC®

www.xdisc-plyty.pl

Cutting line ————
Folding line ————
Perforation line - - - -

carton weight: 300 gsm

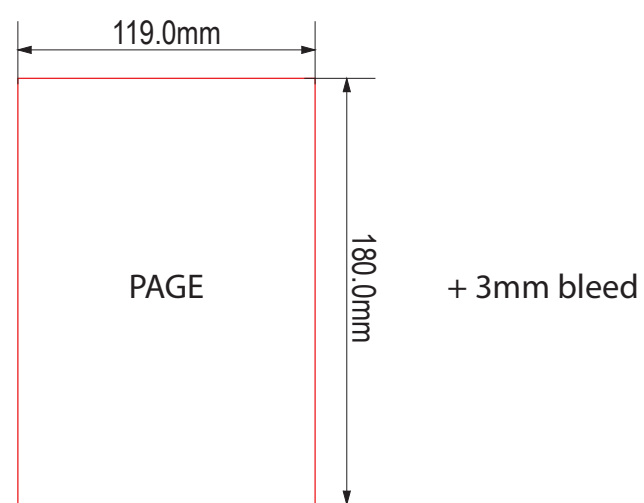
Bleed (3 mm)

Tolerance field (3 mm)

UNIPACK
U27

Drawing	U27 (145/188) spine 4 mm		
	4 pages 1 dvd horizontal cut 1 dvd booklet horizontal cut		
Scale	1/1	Method of Projection	AI (CC) / PDF
Date	12/06/2018		

Note Include booklet up to 16 pages, 130 gsm



Visualisation

